

TC-NC2AS

2MP 20X Starlight IR Zoom Camera

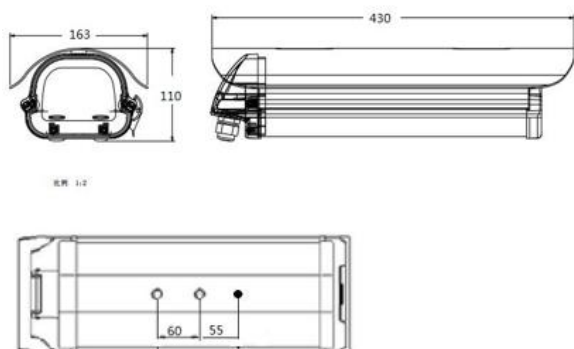
Tiandy



Features

- Starlight Ultra Low Light 0.002lux
- Up To 1080P, 1920x1080@30fps
- S+265 compression
- Min. Illumination Color: 0.002 Lux,B/W: 0.001 Lux, 0 Lux with IR
- Mechanical WDR 140dB
- Smart IR, IR Range: 100m
- Focal Length 4.7mm ~ 94mm
- Optical Zoom: 20x, Digital Zoom: 16x
VCA Tripwire/Double Tripwire/Perimeter/Object Abandon/Object Lost/Running/Loitering/Parking/Crowd/Audio Abnormal Detection/Video Abnormal Detection
- NIR, WDR, 3D DNR, HLC, Dual-ICR, AWB, AGC, BLC
- Interface Audio I/O:1/1,Alarm I/O:2/1,Built-in Mic,Micro SD card slot up to 128G,USB,Reset Button,BNC
- TVS 6000V, Lightning/Surge 4000V Protection, IP66
- Operating Conditions -40°C-70°C, 0 ~ 95% RHG
- CE, FCC, RoHS

Dimensions



Dimensions(Optional)

Model:2761N



Camera	
Image Sensor	1/2.8" CMOS
Core Processor	ARM7 Architecture
Operating System	Embedded Linux
Signal System	PAL/NTSC
Min. Illumination	Color: 0.002Lux@(F1.6, 50 IRE, ICR OFF) B/W: 0.001 Lux@(F1.6, 50 IRE, ICR ON)
Shutter Time	1/1s~1/100000s
Focal Length	4.7mm~94mm
Optical Zoom	20X
Aperture Range	F1.5-F3.0
Zoom Speed	<4s (Optical, Wide Angle-overlook)
Angle of View	Horizontal: 55.8°(w)~3.2°(t)
Day& Night	Dual ICR
WDR	140 dB
DNR	3D
Focus	Auto
S/N	>60dB
Compression Standard	
Video Compression	S+265/H.265/S+264/H.264/H.264MH.264B/MJPEG
Video Bit Rate	32K~16000Kbps
Audio Compression	G.711A, G.711U, AAC, ADPCM
Audio Bit Rate	G711 8KHz, 64kbps ADPCM 8KHz, 32kbps AAC 48KHz, 96-320kbps
Image	
Max. Image Resolution	1920x1080
Frame Rate	50Hz 25fps (1920 × 1080), 25fps (1280 × 960), 60Hz 30fps (1920 × 1080), 30fps (1280 × 960), Mainstream:1080P(1920*1080) Substream:D1(704*576)
Triple Stream	3rd stream:CIF(352*288)
Image Settings	Brightness, Saturation, Contrast,Flip Mode
HLC	Y
Corridor	Y, Available for 720P and Above
ROI	8 Zones
Privacy Mask	24 Zones
Picture Overlay	200 × 200, BMP 24bit, Zone Configurable
OSD	Size:16×16, 32×32, 24×24, 48×48, 64×64, 96×96 Letters, Week, Date, Time, Total 5 Regions
Network	
Browser	IE8,IE9,IE10,IE11,Firefox3.5+
Network Storage	NAS
NTP	Y
ANR	Y, Auto store video in SD card when NVR disconnected, and upload video to NVR when resumed connection(Only Support Tiandy ANR NVR)
Video Analytics	Tripwire/Double Tripwire/Perimeter/Object Abandon Object Lost/Running/Loitering/Parking/Crowd Audio Abnormal Detection/Video Abnormal Detection
Alarm Trigger	Motion Detection/IP Conflict/MAC Conflict/Port Alarm
Protocols	IPv4/IPv6/HTTP/802.1x/FTP/SMTP/UPnP/SNMP DNS/DDNS/NTP/RTSP/TCP/UDP/DHCP/PPPoE
User Permission	4 Level/32 Users
Remote Connection	5 Users Access at the Same Time
System Compatibility	ONVIF (Profile S), SDK, CGI
Interface	
Audio Input	1-ch
Audio Output	1-ch
Communication Interf	1-ch RJ45 10M / 100M Ethernet Interface
Alarm Input	3-ch
Alarm Output	2-ch
Video Output	1-ch,1Vp-p Composite Output (75Ω/BNC)
On-board Storage	N/A
RS-485	Y
Extension	1-Micro SDHC
General	
Language	English,Spanish,Korean,Italian,Turkish,Thai,Russian Polish,French,Traditional Chinese,Simplified Chinese
Operating Conditions	-40°C~70°C, 0~95% RHG
Power Supply	AC24V±15%
Power Consumption	Max. 25W(IR: 29W)
Circuit Protection	TVS 6000V, Lightning/Surge 4000V Protection
Impact Protection	IP66
IR Range	100m
IR LEDs	4pcs Array IR LEDs
White Light LEDs	2pcs (Range 30m)
Dimensions	430mm×163mm×110mm
Weight	3.2kg (IP Camera Only); 3.6kg (with Packing Box)
S+265:	Tiandy enhanced H.265 codec
ANR:	Auto store video in SD card when NVR disconnected, and upload

* The latest product information / specification can be found at <http://en.tiandy.com/>

CE FC RoHS

Tiandy Digital Technology Co., Ltd. | en.tiandy.com

Addr: No.8, Huake Rd2, Binhai Hi-Tech Industry(Huayuan), Tianjin 300384 China

Tel: +86-22-58596037 Email: sales@tiandy.com

